

Part No. 991750  
2/80

**OPERATING  
INSTRUCTIONS  
FOR  
AMPROBE®  
AC TRMS VOLTMETER  
RECORDER**

**MODELS  
LAV3RMS and LAV3RMS-T**

---

**See Precautions for Personal and Instrument  
Protection on Page 3**

---

**See Limited Warranty on Page 2**

---

 **AMPROBE INSTRUMENT®**  
DIVISION OF CORE INDUSTRIES INC. LYNBROOK, NEW YORK 11563

### LIMITED WARRANTY

Congratulations! You are now the owner of an AMPROBE® instrument. It has been quality crafted according to quality standards and contains quality components and workmanship. This instrument has been inspected for proper operation of all of its functions. It has been tested by qualified factory technicians according to the long-established standards of AMPROBE INSTRUMENT.

Your AMPROBE instrument has a limited warranty against defective materials and/or workmanship for two years from the date of purchase provided that, in the opinion of the factory, the instrument has not been tampered with or taken apart.

***Should your instrument fail due to defective materials, and/or workmanship during the two-year warranty period, return it along with a copy of your dated bill of sale which must identify instrument by model number and serial number.***

For your protection, please use the instrument as soon as possible. If damaged, or should the need arise to return your instrument, it must be securely wrapped (to prevent damage in transit) and sent prepaid via Air Parcel Post insured or UPS where available to:

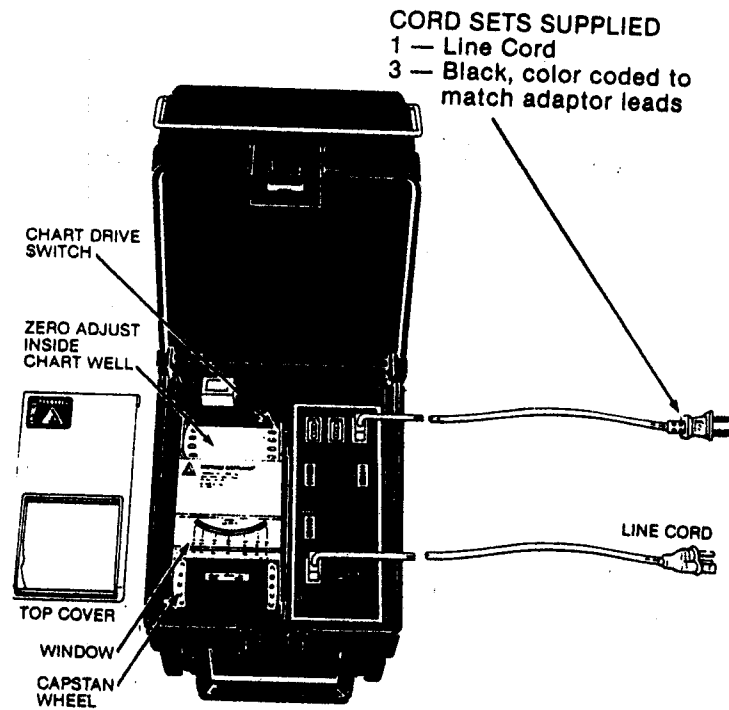
Service Division  
AMPROBE INSTRUMENT  
630 Merrick Road (For U.P.S.)  
P.O. Box 329 (For P.P.)  
Lynbrook, NY 11563-0329

Outside the U.S.A. the local Amprobe representative will assist you. Above limited warranty covers repair and replacement of instrument only and no other obligation is stated or implied.

### PRECAUTIONS FOR PERSONAL AND INSTRUMENT SAFETY

1. Read these instructions thoroughly and follow them carefully.
2. In many instances you will be working with dangerous levels of voltage and/or current, therefore, it is important that you avoid direct contact with any uninsulated, current-carrying surfaces. Appropriate insulating gloves and clothing should be worn.
3. Before connecting or disconnecting the voltmeter to or from the circuit to be tested, turn off all power to the circuit.
4. Before applying test leads to circuit under test, make certain:
  - a. Proper test leads are plugged into correct instrument jacks, and
  - b. Selector switch is set to proper range.
5. Before using any electrical instrument or tester for actual testing, the unit should be checked on a known live line to make certain it is operating properly.
6. If the instrument should fail to indicate, do not touch circuit until you have checked to see that all instrument switches are in proper position and instrument has been checked on a known live circuit.

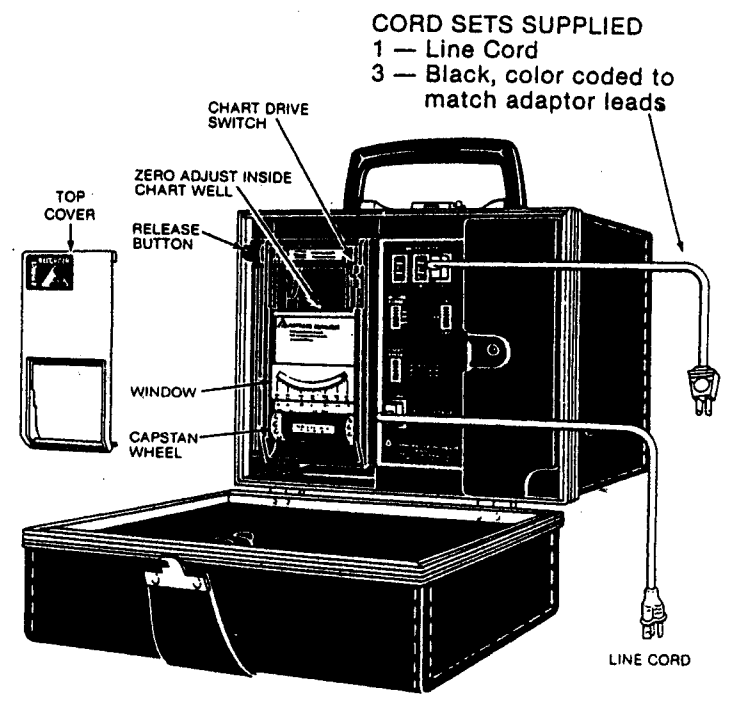
**IMPORTANT:** Failure to follow the instructions or to observe the above precautions may result in personal injury and/or damage to the instrument and/or accessories.



**CORD SETS SUPPLIED**  
 1 — Line Cord  
 3 — Black, color coded to match adaptor leads

**ADAPTOR LEADS SUPPLIED**  
 1 — RAL-4  
 1 — RAL-4R  
 1 — RAL-4G

**MODEL LAV3RMS**



**CORD SETS SUPPLIED**  
 1 — Line Cord  
 3 — Black, color coded to match adaptor leads

**ADAPTOR LEADS SUPPLIED**  
 1 — RAL-4  
 1 — RAL-4R  
 1 — RAL-4G

**MODEL LAV3RMS-T**

## INTRODUCTION

Models LAV3RMS and LAV3RMS-T can, on a time-sharing basis, sequentially record up to three AC RMS voltages on the same chart. The recorder is supplied with three black cord sets which plug into A, B and C volt receptacles. Three adaptor leads are supplied which when attached to the cord sets provide insulated alligator clips for connection to distribution panels. The three voltages A, B and C are recorded in the following sequence: A, B, C, B, C, C. The trace for each voltage recorded on the chart has a different "dot" pattern (1, 2 or 3 dots) to identify each voltage trace. One complete sequence of recording all three voltages (A, B, C, B, C, C) takes only 30 seconds with a chart speed of 12 inches per hour; one minute with a chart speed of 6 inches per hour; six minutes with a chart speed of one inch per hour.

## SPECIFICATIONS

**AC Voltage (TRMS, AC-Coupled)**

**Ranges:** 0-150/300/600 Volts 3  $\phi$

**Accuracy:**  $\pm 3\%$  of full scale from 50-70Hz.  
 $\pm 5\%$  of full scale from 70-400Hz.

**Power Requirements:** 120 Volts 60Hz, 3 Watts  
(unless otherwise indicated)

**Crest Factor:** 3:1 max.

**Chart Speed:** 1" (2.54 cm)/hr., 6" (15.24 cm)/hr.,  
12" (30.48 cm)/hr.

**Imprint Rate (LAV3RMS):** 1 per min. @ 1"/hr., 1 per 10 sec.  
@ 6"/hr., 1 per 5 sec. @ 12"/hr.

**Imprint Rate (LAV3RMS-T):** 1 per 30 sec. @ 1"/hr., 1 per 5 sec.  
@ 6"/hr., 1 per 2.5 sec. @ 12"/hr.

**Operating Temperature:** 32°F (0°C) to 122°F (50°C)

**Chart:** Cat. No. 830AV600 for LAV3RMS or  
Cat. No. 830AV600-6 for LAV3RMS-T

## ZERO ADJUSTING

With chart drive switch in "OFF" position (see fig. 1) exposing the word "OFF," check mechanical zero setting of pointer (see fig. 2) before making any electrical connections to the instrument. If adjustments are necessary proceed as follows:

- Remove top cover—pull bottom ledge of frame toward you and lift. See fig. 3 or 4.
- With strip chart roll not in recorder, locate star wheel. See fig. 5 or 6.
- Apply finger to star wheel and turn until pointer lines up with zero mark at the extreme right of scale. See fig. 2.

Fig. 1  
OFF Position

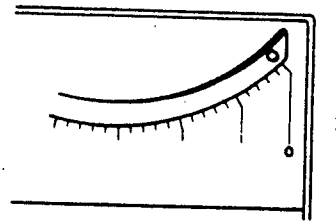
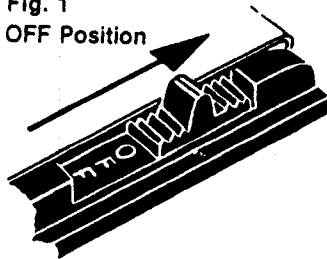


Fig. 2

Fig. 3

Pull  
Lift  
Up

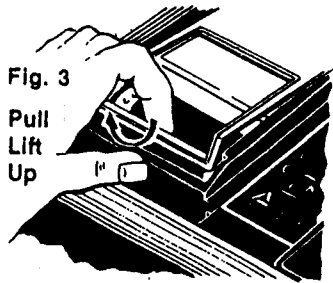


Fig. 4

Pull  
Lift  
Up

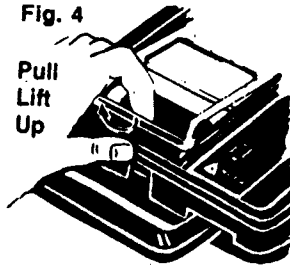


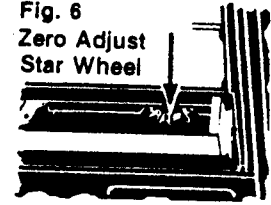
Fig. 5

Zero Adjust  
Star Wheel



Fig. 6

Zero Adjust  
Star Wheel



## LOADING AND UNLOADING CHART PAPER MODEL LAV3RMS

- Move chart drive switch to OFF position exposing the word "OFF." See fig. 1.
- Remove top cover. See fig. 4.
- Unroll about nine (9) inches of chart paper.
- With printed side up, slip leading edge of paper under the glass and out, through slot in front as shown in fig. 7.
- Make sure the holes on both sides of the chart paper engage the sprockets of both capstan wheels.
- Line up time arrow (see fig. 8) with any line on the left of the chart paper.
- To unload chart paper, turn chart drive switch off and remove paper.

Fig. 7  
Slot to Feed  
Paper Out  
Front

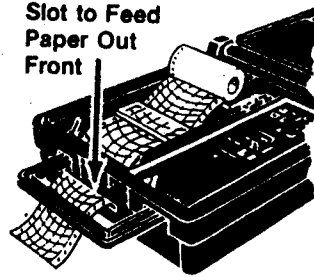
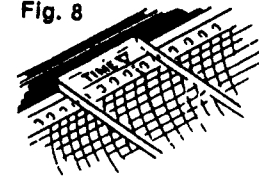


Fig. 8



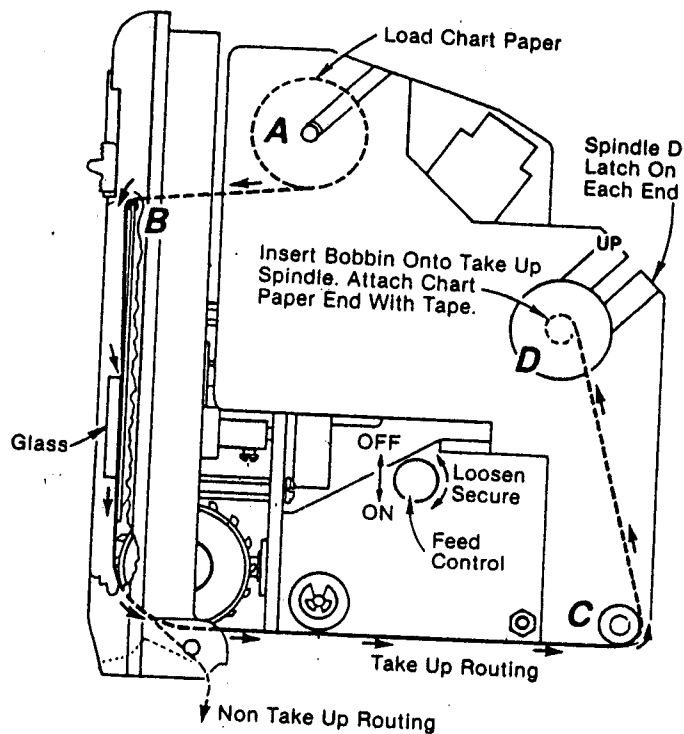


Fig. 9

### LOADING AND UNLOADING CHART PAPER MODEL LAV3RMS-T

1. Move chart drive switch to OFF position exposing the word "OFF." See fig. 1.
2. Remove top cover. See fig. 3.
3. To insert or remove chart paper, place recorder in horizontal position and press the release button in the direction shown in fig. 10. Raise the recorder mechanism to a vertical position until it locks. Remove feed shaft **A** (see fig. 9) and place chart roll on spindle. Remove tape on roll and retain tape for securing chart on take-up spindle **D**. Unroll about 12" to 15" and route paper over top edge of scale plate **B** underneath glass, over the sprocket wheels, to the rear and over the idle roller **C** up to the cardboard bobbin mounted on take-up spindle **D**. Secure edge of chart to bobbin with tape. Make sure the sprocket holes in the paper engage the sprocket wheels. Be sure that feed control is tight and in the right position. The word "on" must be visible. Press in the idle roller extension **C** to allow the recording mechanism to move back down into case and lock into position. Replace cover by positioning the "U" bend onto the plastic projections and snap front down. Make sure chart paper is not binding with the cover in place. For "non-take-up" recording, route chart through bottom slot as shown in fig. 9.
4. To remove chart from take-up spindle **D**, move the latches away from the take-up spindle. Turn knurled knob on spindle **D** until the slot in the take-up drive pulley at the opposite end of the spindle is lined up with the slot in the side frame of the recorder. Slide the spindle and chart up and out of the slots in the side frames of the recorder. Remove tape from chart and bobbin.
5. To unload chart paper from recorder turn chart drive switch off, exposing the word "OFF." See fig. 1. Follow 4 above. Remove chart from feed shaft **A** and pull paper through recorder.

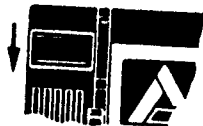
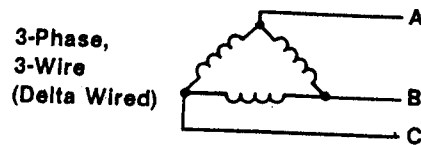


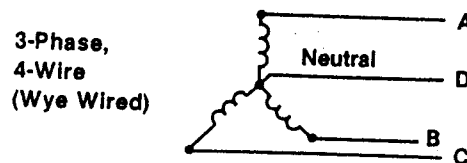
Fig. 10

### CONNECTING THE LAV3RMS, LAV3RMS-T RECORDING VOLTMETER TO MONITOR A 3 PHASE 3-WIRE OR 4-WIRE SYSTEM

**For Phase to Phase Voltage Measurements (3-wire):**  
Connect one pair of the test leads to phase AB. Connect the second pair of the test leads to phase BC. Connect the third pair of the test leads to phase AC.



**For Phase to Neutral Voltage Measurements (4-wire):**  
Connect one pair of test leads to points A and D. Connect the second pair of test leads to points B and D. Connect the third pair of test leads to points C and D.



#### IDENTIFYING TRACES ON CHARTS

With the "ABC-AB-A" switch in the "ABC" position, the phase voltage connected to the test lead plugged into receptacle "A" on recorder will be recorded on the strip chart with a one-dot pattern; the phase voltage connected

to the test lead plugged into receptacle "B" on the recorder will be recorded on the strip chart with a two-dot pattern; the phase voltage connected to the test lead plugged into receptacle "C" on the recorder will be recorded on the strip chart with a three-dot pattern.

#### HOW TO USE AS A RECORDER

1. Chart drive switch must be in "OFF" position exposing the word "OFF." See fig. 1
2. Remove top cover. Adjust zero setting (see "ZERO ADJUSTING") with power off and recorder not connected to any power source. (Chart drive switch does not control power). See fig. 3 or 4.
3. Load chart paper. See fig. 7 or 9. Replace cover by positioning the "U" bend onto the metal projections of chart well (non-take-up) and onto molded plastic projections for take-up recorder and then snap front down. Make sure paper is not binding with cover in place.
4. **FOR RECORDING THREE VOLTAGES:**  
Set volt range switch to appropriate range. Move "ABC"- "AB"- "A" switch into "ABC" position. Plug three cord sets into volt receptacles A, B, C and connect to voltage source to be measured with adaptor leads if necessary. The voltage will be recorded in the following sequence: A, B, C, B, C, C.
5. **FOR RECORDING TWO VOLTAGES:**  
Set volt range switch to appropriate range. Move "ABC"- "AB"- "A" switch into "AB" position. Plug two cord sets into volt receptacles A & B and connect to voltage source to be measured with adaptor leads, if necessary. The two voltages A and B will be recorded in the following sequence: A, B, A, B; A, A.

**6. FOR RECORDING ONE VOLTAGE:**

- Set volt range switch to appropriate range. Move "ABC"."AB"."A" switch to "A" position. Plug cord set into volt receptacle "A" and connect to voltage source to be measured with adaptor leads, if necessary.
7. Plug power line cord into recorder line receptacle and connect to proper line voltage and frequency.
8. Push chart drive switch to "ON" position exposing the word "ON." Make sure switch clicks into detent position which locks it into place. See fig. 11.
9. Mark time of start on chart paper. See fig. 8.
10. Secure recorder in a horizontal or vertical position.

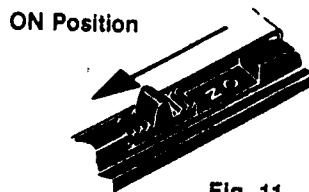


Fig. 11

**HOW TO USE AS AN INDICATING METER**

1. Set chart drive switch to "OFF" position. See fig. 1.
2. Remove chart paper and zero adjust pointer. See "ZERO ADJUSTING" for more details.
3. Follow steps 6 and 7 of "HOW TO USE AS A RECORDER."

**SERVICE**

Serial number is die stamped in lower right hand corner of the scale plate.

For Factory service, package instrument and packing slip with sufficient cushioning material in a shipping carton; make certain your name and address also appear on box as well as packing slip; ship prepaid via U.P.S. (where available) or Air Parcel Post insured to:

Service Division  
AMPROBE INSTRUMENT  
630 Merrick Road (Use for U.P.S.)  
P.O. Box 329 (Use for Parcel Post)  
Lynbrook, NY 11563-0329

Outside the U.S.A. the local Amprobe representative will assist you.