

**OPERATING
INSTRUCTIONS
FOR
AMPROBE®
TEMPERATURE/EVENT
RECORDER**

**MODELS
LT8200RFE-T & LT8200RCE-T**

**See Precautions for Personal and Instrument
Protection on Page 4**

See Limited Warranty on Page 3



LIMITED WARRANTY

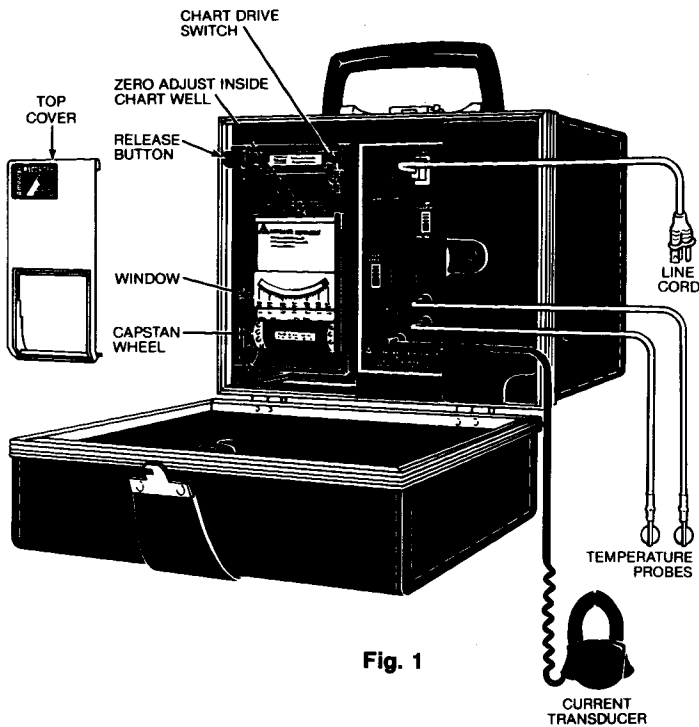


Fig. 1

Congratulations! You are now the owner of an AMPROBE® instrument. It has been quality crafted according to quality standards and contains quality components and workmanship. This instrument has been inspected for proper operation of all of its functions. It has been tested by qualified factory technicians according to the long-established standards of AMPROBE INSTRUMENT.

Your AMPROBE instrument has a limited warranty against defective materials and/or workmanship for one year from the date of purchase provided that, in the opinion of the factory, the instrument has not been tampered with or taken apart.

Should your instrument fail due to defective materials, and/or workmanship during the one-year warranty period, return it along with a copy of your dated bill of sale which must identify instrument by model number and serial number.

For your protection, please use the instrument as soon as possible. If damaged, or should the need arise to return your instrument, it must be securely wrapped (to prevent damage in transit) and sent prepaid via Air Parcel Post insured or UPS where available to:

Service Division
AMPROBE INSTRUMENT
630 Merrick Road (For U.P.S.)
P.O. Box 329 (For P.P.)
Lynbrook, NY 11563-0329

Outside the U.S.A. the local Amprobe representative will assist you. Above limited warranty covers repair and replacement of instrument only and no other obligation is stated or implied.

PRECAUTIONS FOR PERSONAL AND INSTRUMENT SAFETY

1. Read these instructions thoroughly and follow them carefully.
2. In many instances you will be working with dangerous levels of voltage and/or current, therefore, it is important that you avoid direct contact with any uninsulated, current-carrying surfaces. Appropriate insulating gloves and clothing should be worn.
3. Before connecting or disconnecting the event current transducer to or from the circuit to be tested, turn off all power to the circuit.

IMPORTANT: Failure to follow the instructions or to observe the above precautions may result in personal injury and/or damage to the instrument and/or accessories.

INTRODUCTION

Models LT8200RFE-T/LT8200RCE-T are recorders that can be used to record either one temperature or two different temperatures with one event (current) on a sequential time-sharing basis on the same strip chart. One complete sequence of recording the two temperatures and the event (T1, Ev, T2, Ev, T2, T2) takes only 30 seconds with a chart speed of 12 inches per hour; one minute with a chart speed of 6 inches per hour; 6 minutes with a chart speed of one inch per hour.

SPECIFICATIONS

MODEL LT8200RFE-T

Temperature Range	Use Probes	Use Chart	Accuracy†
- 40° to + 60°F	RBT-11, 12 or 13	4060 or 4060-6	- 20° to + 40°F ± 2% Full Range
- 3.5° to + 118°F	RBT-14	3118 or 3118-6	+ 20° to + 100°F ± 2% Full Range
+ 70° to + 210°F*	RBT-15	70210 or 70210-6	+ 90° to + 180°F ± 2% Full Range

MODEL LT8200RCE-T

Temperature Range	Use Probes	Use Chart	Accuracy†
+ 40° to + 15°C	RBT-11, 12 or 13	4015C or 4015C-6	- 29° to + 4°C ± 2% Full Range
- 18° to + 48°C	RBT-14	1848C or 1848C-6	- 6.7° to + 37.8°C ± 2% Full Range

*This range is not on scale plate.
†All other points ± 3% Full Range.

Event Current Transducer: 4 Amperes AC minimum
300 Amperes AC maximum

Power Requirement: 115 Volts 60Hz,
unless otherwise indicated.

ZERO ADJUSTING

1. With chart drive switch in "OFF" position (see fig. 2) exposing the word "OFF" check mechanical zero setting of pointer before making any electrical connections to the instrument (see fig. 3). If adjustment is necessary proceed as follows:

- a) Remove top cover—pull bottom ledge of frame toward you and lift. The top cover will come loose (see fig. 4).
- b) With strip chart roll removed from the chart well, the zero adjust star wheel is located in the bottom of chart well (see fig. 5).
- c) Apply finger to star wheel and turn until pointer lines up with zero at the extreme right side of the scale (fig. 3).

Fig. 2

OFF
Position

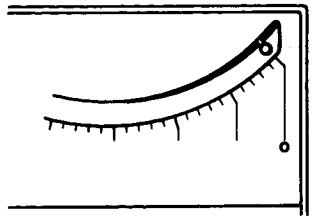
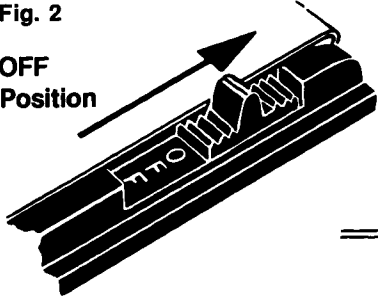


Fig. 3

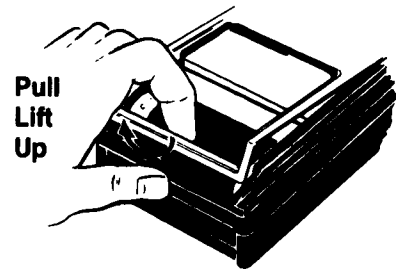


Fig. 4

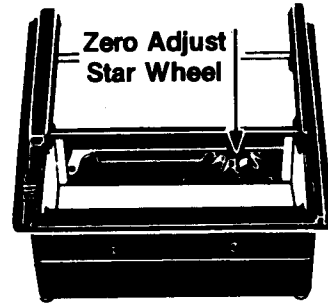


Fig. 5

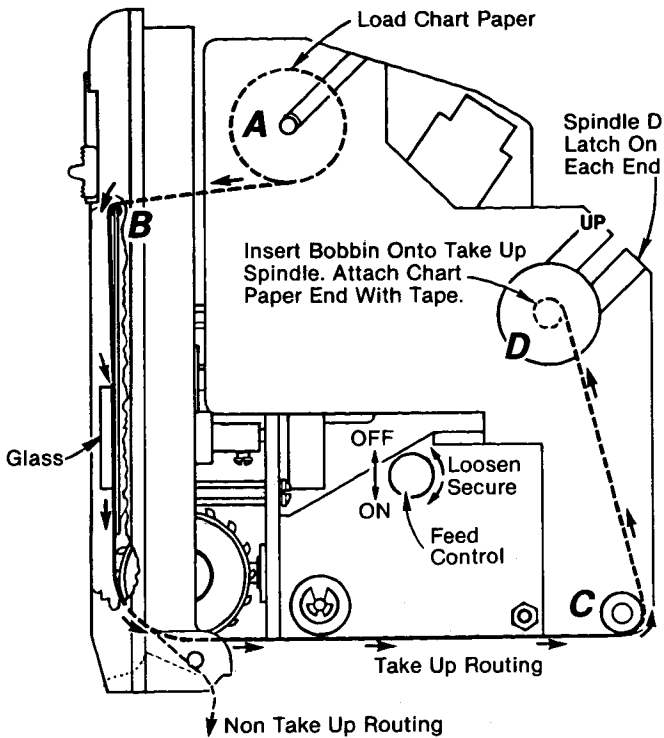


Fig. 7

HOW TO USE AS A RECORDER


1. a) To insert chart paper, place recorder in horizontal position and press the release button in the direction shown in fig. 6. Raise the recorder mechanism to a vertical position until it locks. Remove chart spindle **A** (see fig. 7) and place chart roll on spindle. Remove tape on roll and retain tape for securing chart on take-up spindle **D**. Unroll about 12" to 15" and route paper over top edge of scale plate **B** underneath glass, over the sprocket wheels, to the rear and over the idle roller **C** up to the cardboard bobbin mounted on take-up spindle **D**. Secure edge of chart to bobbin with tape. Make sure the sprocket holes in the paper engage the sprocket wheels. Be sure that feed control is tight and in the right position. The word "on" must be visible. Press in the idle roller extension **C** to allow the recording mechanism to move back down into case and lock into position. Replace cover by positioning the "U" bend onto the projections above the chart well opening. Make sure chart paper is not binding with the cover in place. For "non-take-up" recording, route chart through bottom slot as shown in fig. 7.
 

Fig. 6
- b) To remove chart from take-up spindle **D**, move the latches away from the take-up spindle. Turn knurled knob on spindle **D** until the slot in the take-up drive pulley at the opposite end of the spindle is lined up with the slot in the side frame of the recorder. Slide the spindle and chart up and out of the slots in the side frames of the recorder.

2. Plug thermistor probes into temperature jacks marked 1 and 2. Plug current transducer into event jack.
3. Place thermistor probes into mediums. Snap current transducer around one leg of the line going to the part of the equipment to be monitored. Make sure current level through the transducer jaw is no less than 4 amperes when the equipment is on and zero when off. If less than 4 amperes is available, use Energizer model A47L, available separately.
4. Set selector switch to time-sharing position. Time-sharing recording sequence: T1, Ev, T2, Ev, T2, T2.
5. To record one temperature only (no event), set time-sharing switch to "PROBE #1" position. Plug one thermistor probe into jack #1. Do not connect the other probe or the event current transducer.
6. Connect input line cord to instrument and proper line voltage and frequency.
7. Push chart drive switch to "ON" position (see fig. 8) exposing the word "ON". Make sure switch clicks into detent position which locks it into place.
8. Mark time of start on chart paper. See fig. 9. Secure recorder in a horizontal or vertical position.

Fig. 8

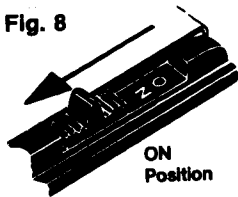
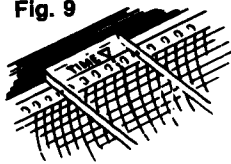


Fig. 9



HOW TO USE AS AN INDICATING METER

Set chart drive switch to "OFF" position; remove chart paper. Plug one thermistor probe into jack #1; set time-sharing switch to "PROBE #1" position. Read on scale that matches probes.

SERVICE

Serial number is die stamped in lower right hand corner of the scale plate.

For Factory service, package instrument and packing slip with sufficient cushioning material in a shipping carton; make certain your name and address also appear on box as well as packing slip; ship prepaid via U.P.S. (where available) or Air Parcel Post insured to:

Service Division
 AMPROBE INSTRUMENT
 630 Merrick Road (Use for U.P.S.)
 P.O. Box 329 (Use for Parcel Post)
 Lynbrook, NY 11563-0329

Outside the U.S.A. the local Amprobe representative will assist you.