

OPERATING  
INSTRUCTIONS  
FOR  
**AMPROBE<sup>®</sup>**  
**AC VOLT-AMMETER  
RECORDERS**

NON-TAKE-UP MODEL  
PAVA83-12

TAKE-UP MODEL  
PAVA83-T

---

See Precautions for Personal and Instrument  
Protection on Page 3

---

See Limited Warranty on Page 2

---



## LIMITED WARRANTY

Congratulations! You are now the owner of an AMPROBE® instrument. It has been quality crafted according to quality standards and contains quality components and workmanship. This instrument has been inspected for proper operation of all its functions. It has been tested by qualified factory technicians according to the long-established standards of AMPROBE®.

Your AMPROBE® instrument has a limited warranty against defective materials and/or workmanship for two years from the date of purchase provided that, in the opinion of the factory, the instrument has not been tampered with or taken apart.

**Should your instrument fail due to defective materials, and/or workmanship during the two-year period, please have your dated bill of sale which must identify the instrument model number and serial number and call the number listed below for shipping instructions.**

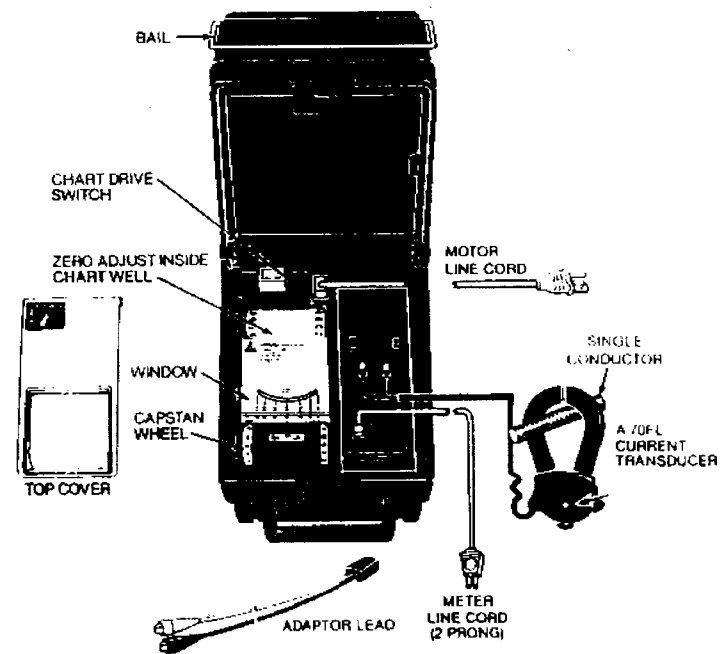
1-800-327-5060

Outside the U.S.A. the local AMPROBE® representative will assist you. Above limited warranty covers repair and replacement of instrument only and no other obligation is stated or implied.

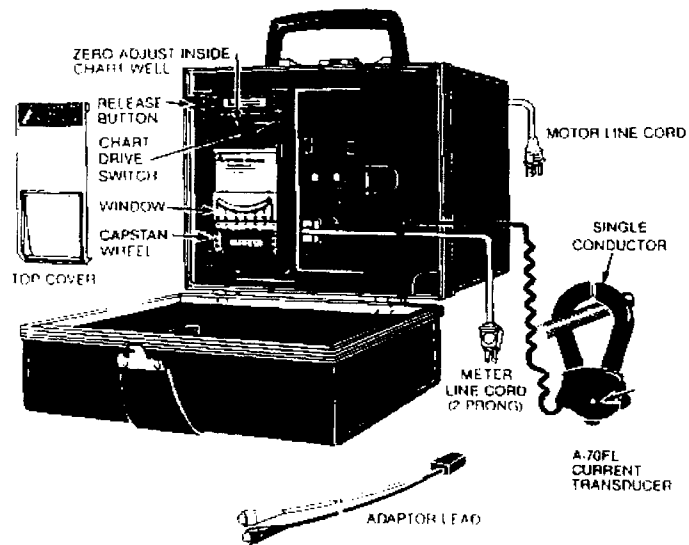
## PRECAUTIONS FOR PERSONAL AND INSTRUMENT SAFETY

1. Read these instructions thoroughly and follow them carefully.
2. In many instances you will be working with dangerous levels of voltage and/or current, therefore, it is important that you avoid direct contact with any uninsulated, current-carrying surfaces. Appropriate insulating gloves and clothing should be worn.
3. Before connecting or disconnecting the instrument to or from the circuit to be tested, turn off all power from the circuit.
4. Before applying transducer to circuit under test, make certain selector switch is set to proper range.
5. Before using any electrical instrument or tester for actual testing, the unit should be checked on a known live line to make certain it is operating properly.
6. If the instrument should fail to indicate, do not touch circuit until you have checked to see that all instrument switches are in proper position and instrument has been checked on a known live circuit.

**IMPORTANT:** Failure to follow the instructions or to observe the above precautions may result in personal injury and/or damage to the instrument and/or accessories.



NON-TAKE-UP MODEL: PAVA83-12



TAKE-UP MODEL: PAVA83-T

## INTRODUCTION

Models PAVA83-12 and PAVA83-12-T can record single phase volts or amps on one chart. Selection of variable is done by moving the AMP/VOLT switch to the desired position. Range selection of variable to be recorded is done on the recorder panel for volts and on the transducer for amps.

## SPECIFICATIONS

### PAVA83-12

Voltage and Current Ranges 1Ø: 95-130;190-260; 380-520 Volts  
0-10/50/250/500 Amps

Chart Paper: 835X3A  
850A

Power requirements: 120 Volts 60Hz, 3 Watts  
(unless otherwise indicated)

Operating Temperature: 20°F (6.7°C) to 140°F (60.0°C)

Chart Speed: 1" (2.54 cm)/hr., or 12" (30.48cm)/hr.

Imprint Rate: 1 per min. @ 1"/hr., or 1 per 5 sec. @ 12"/hr.

Accuracy: Amps ±3% of F.S.

### PAVA83-T

Voltage and Current Ranges 1Ø: 95-130;190-260; 380-520 Volts  
0-10/50/250/500 Amps

Chart Paper: 835X3A or 835X3A-6\*  
850A or 850A-6\*

Power requirements: 120 Volts 60Hz, 3 Watts  
(unless otherwise indicated)

Operating Temperature: 20°F (6.7°C) to 140°F (60.0°C)

Chart Speed: 1" (2.54 cm)/hr., or 12" (30.48cm)/hr.

Imprint Rate: 1 per min. @ 1"/hr., or 1 per 5 sec. @ 12"/hr.

Accuracy: Amps ±1 1/4% of F.S.

\* 30ft. chart supplied, -6 is 60ft. chart for take-up models only.

## ZERO ADJUSTING

With chart drive switch in "OFF" position (see fig. 1) exposing the word "OFF," check mechanical zero setting of pointer (see fig. 2) before making any electrical connections to the instrument. If adjustment is necessary proceed as follows:

- Remove top cover-pull bottom ledge of frame toward you and lift. See fig. 3 or 4.
- With strip chart roll not in recorder, locate star wheel. See fig. 5 or 6.
- Apply finger to star wheel and turn until pointer lines up with zero mark at the extreme right of scale. See fig. 2.

Fig. 1  
OFF Position

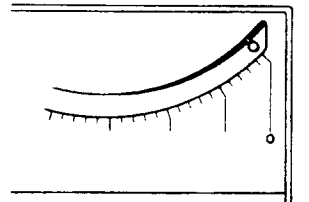
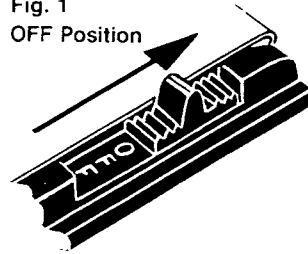


Fig. 2

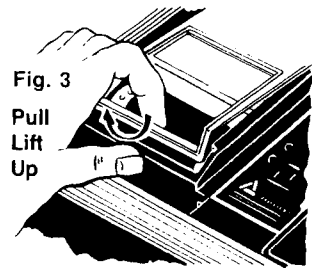


Fig. 3  
Pull  
Lift  
Up

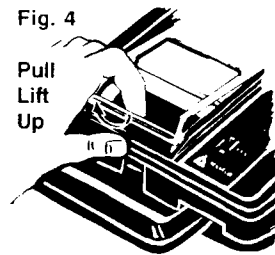


Fig. 4  
Pull  
Lift  
Up

Fig. 5  
Zero Adjust  
Star Wheel

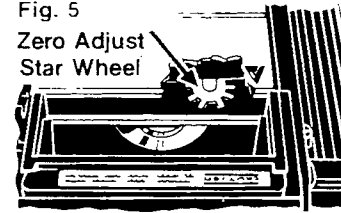
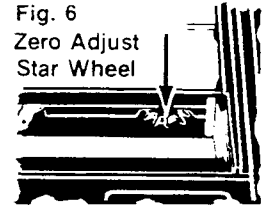


Fig. 6  
Zero Adjust  
Star Wheel



## LOADING AND UNLOADING CHART PAPER MODEL PAVA83-12

- Move chart drive switch to OFF position exposing the word "OFF." See fig. 1.
- Remove top cover. See fig. 4.
- Unroll about nine (9) inches of chart paper.
- With printed side up, slip leading edge of paper under the glass and out, through slot in front as shown in fig. 7.
- Make sure the holes on both sides of the chart paper engage the sprockets of both capstan wheels.
- Line up time arrow (see fig. 8) with any line on the left of the chart paper.
- To unload chart paper, turn chart drive switch off and remove paper.

Fig. 7  
Slot to Feed  
Paper Out  
Front

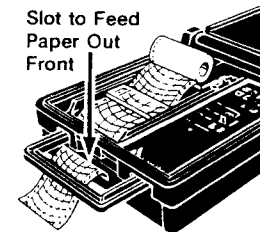
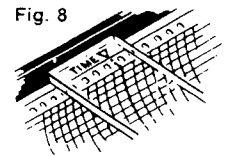


Fig. 8



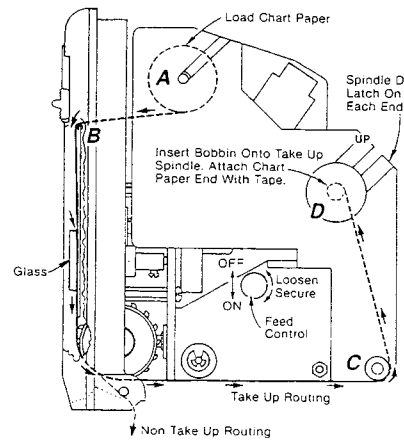


Fig. 9

### LOADING AND UNLOADING CHART PAPER ON TAKE-UP MODELS

1. Move chart drive switch to OFF position exposing the word "OFF." See fig. 1.
2. Remove top cover. See fig. 3.
3. To insert or remove chart paper, place recorder in horizontal position and press the release button in the direction shown in fig. 10. Raise the recorder mechanism to a vertical position until it locks. Remove feed shaft A (see fig 9) and place chart roll on spindle. Remove tape on roll and retain tape for securing chart on take-up spindle D. Unroll about 12" to 15" and route paper over top edge of scale plate B underneath glass, over the sprocket wheels, to the

rear and over the idle roller C up to the cardboard bobbin mounted on the take-up spindle D. Secure edge of chart to bobbin with tape. Make sure the sprocket holes in the paper engage the sprocket wheels. Be sure that feed control is tight and in the right position. The word "on" must be visible. Press in the idle roller extension C to allow the recording mechanism to move back down into the case and lock into position. Replace cover by positioning the "U" bend onto the plastic projections and snap front down. Make sure chart paper is not binding with the cover in place. For "non-take-up" recording, route chart through bottom slot as shown in fig. 9.



Fig. 10

4. To remove chart from take-up spindle D, move the latches away from the take-up spindle. Turn knurled knob on spindle D until the slot in the take-up drive pulley at the opposite end of the spindle is lined up with the slot in the side frame of the recorder. Slide the spindle and chart up and out of the slots in the side frames of the recorder. Remove tape from chart and bobbin.
5. To unload chart paper from recorder turn chart drive switch off, exposing the word "OFF." See fig. 1. Follow 4 above. Remove chart from feed shaft A and pull paper through recorder.

### SELECTING CHART SPEED ON TAKE-UP MODELS

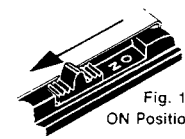
1. To select chart speed, energize recorder with proper line voltage and frequency. Raise recorder to vertical position (see loading and unloading chart paper on take-up models). Move chart drive switch to "ON" position exposing the word "ON". Make sure switch clicks into detent (see fig. 11) Set all three speeds to "OFF" position and tighten (see fig. 9). Move desired speed knob (1, 12 or 24) to "ON" position. Tighten while keeping pressure on gear mechanism.

2. Press in the idle roller extension C to allow the recording mechanism to move back down into the case and lock into position. Replace cover by positioning the "U" bend onto the projections above the chart well opening. Make sure chart paper is not binding with the cover in place. For "non-take-up" recording route chart through bottom slot as shown in figure 9.

### HOW TO USE AS A RECORDER

1. Chart drive switch must be in "OFF" position (exposing the word "OFF"). See Fig. 1.
2. Remove top cover. See fig. 3 or 4. Adjust zero setting with power off and recorder not connected to any voltage or current source. (See Zero Adjusting).
3. Load chart paper. See fig. 7 or 9. Replace cover by positioning the "U" bend onto the metal projections of the chart well (non take-up) and onto molded plastic projections for take-up recorder and then snap the front down. Make sure paper is not binding with cover in place.
4. For Voltage Recording- Set range selector switch to appropriate voltage range. Move "AMPS-VOLTS" switch to "VOLTS" position. Attach adaptor extension lead (supplied) if needed, to meter cord and plug into recorder receptacle. Connect to voltage source to be measured.
5. For Current Recording- Connect current transducer to terminal on right hand panel of recorder. Observe color coding of terminals.  
Caution: If correct polarity is not observed, meter will read down scale and not function. Move "AMPS-VOLTS" switch to "AMPS" position. Set range switch on current transducer to appropriate position. Clamp current transducer around one leg of line going to the load.

6. Plug power line cord into recorder line receptacle and connect to proper line voltage and frequency.
7. Push chart drive switch to "ON" position (exposing the word "ON"). Make sure it clicks into detent position which locks it into place. See fig. 11.
8. Mark time of start on strip chart. See fig. 8.
9. Secure recorder in horizontal or vertical position.



### READING STRIP CHARTS

Strip charts have more than one scale. REAd on the scale that corresponds to the range you are using. If the particular range you are using does not appear on the chart, use a scale with numbers that you can easily convert to the range you need. (example: Using chart 850A, with recorder on 0-50 amp range, read on the 0-5 scale and multiply by 10).

### HOW TO USE AS AN INDICATING METER

Follow steps 1,2,4,5 and 6 of "How To Use As A Recorder." With chart paper removed, read directly on scale plate.

### SERVICE

Serial number is stamped in over right hand corner of the scale plate.

For factory service, call the Customer Repair Department at the number listed below for a Return Authorization Number and shipping instructions.

**1-800-327-5060**

Outside the U.S.A. the local ATP representative will assist you.



**AMPROBE®**  
ADVANCED TEST PRODUCTS



We have moved



**PROMAX ROBINAIR**



Advanced Test Products, Inc.  
Miramar, FL 33025  
1-800-327-5060

